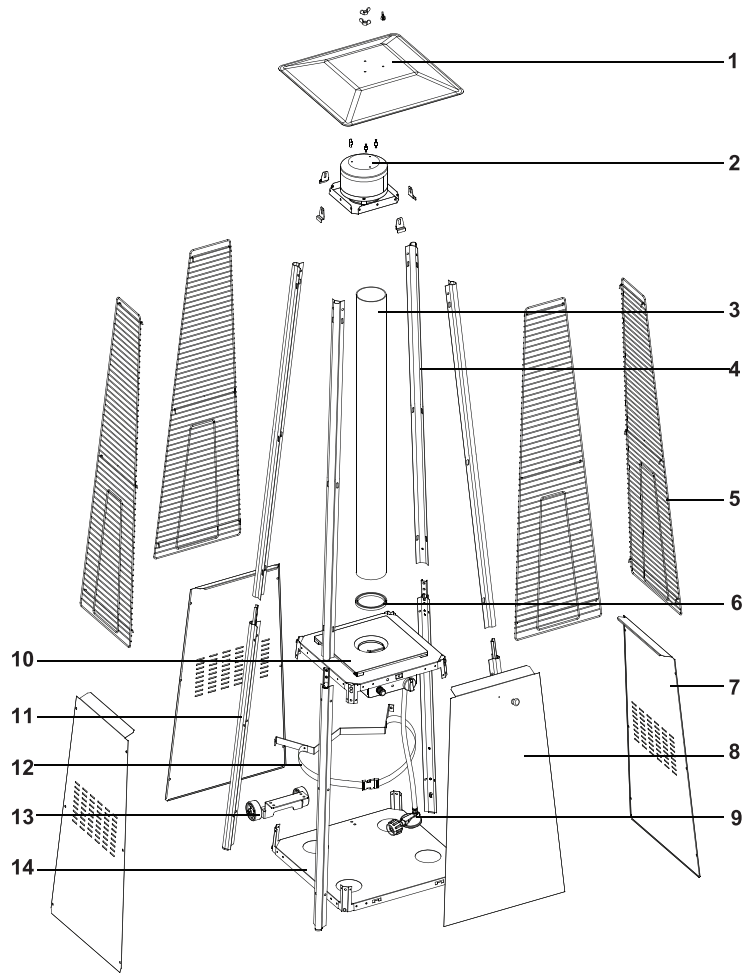


Parts Breakdown

Model PH-CN-0042-S 31879



- 15
- 16
- 17
- 18
- 19
- 20
- 21
- 22
- 23
- 24
- 25
- 26
- 27
- 28
- 29

Parts Breakdown

Model PH-CN-0042-S 31879

Item No.	Description	Position	Item No.	Description	Position	Item No.	Description	Position
41249	Reflector for 31879	1	42777	Lower Support for 31879	11	AH444	Screw M5x12 for 31879	21
42770	Flame Screen for 31879	2	42778	Block Belt for 31879	12	42785	Fixing Bracket for 31879	22
40658	Glass Tube for 31879	3	42779	Stainless Steel Wheel Assembly for 31879	13	42787	Wrench for 31879	23
42771	Upper Support for 31879	4	42780	Stainless Steel Bottom Plate for 31879	14	42788	Philips Screwdriver for 31879	24
42772	Protective Guard for 31879	5	41251	Wing Nut for 31879	15	42789	Knob for 31879	25
72273	Black Silicone Ring for 31879	6	41252	Small Flat Washer $\Phi 6$ for 31879	16	AH445	Screw M4x6 for 31879	26
42774	Stainless Steel Side Panel for 31879	7	42781	Stud for 31879	17	AH446	Chain for 31879	27
42775	Stainless Steel Front Panel for 31879	8	42782	3/16" Screw for 31879	18	AH447	Long Stem Lighter for 31879	28
42776	Gas Hose and Regulator for 31879	9	42783	Bolt M6x10 for 31879	19	AH448	AA Battery 1.5V for 31879	29
41250	Control Box Assembly for 31879	10	42784	M6 Flange Nut for 31879	20			